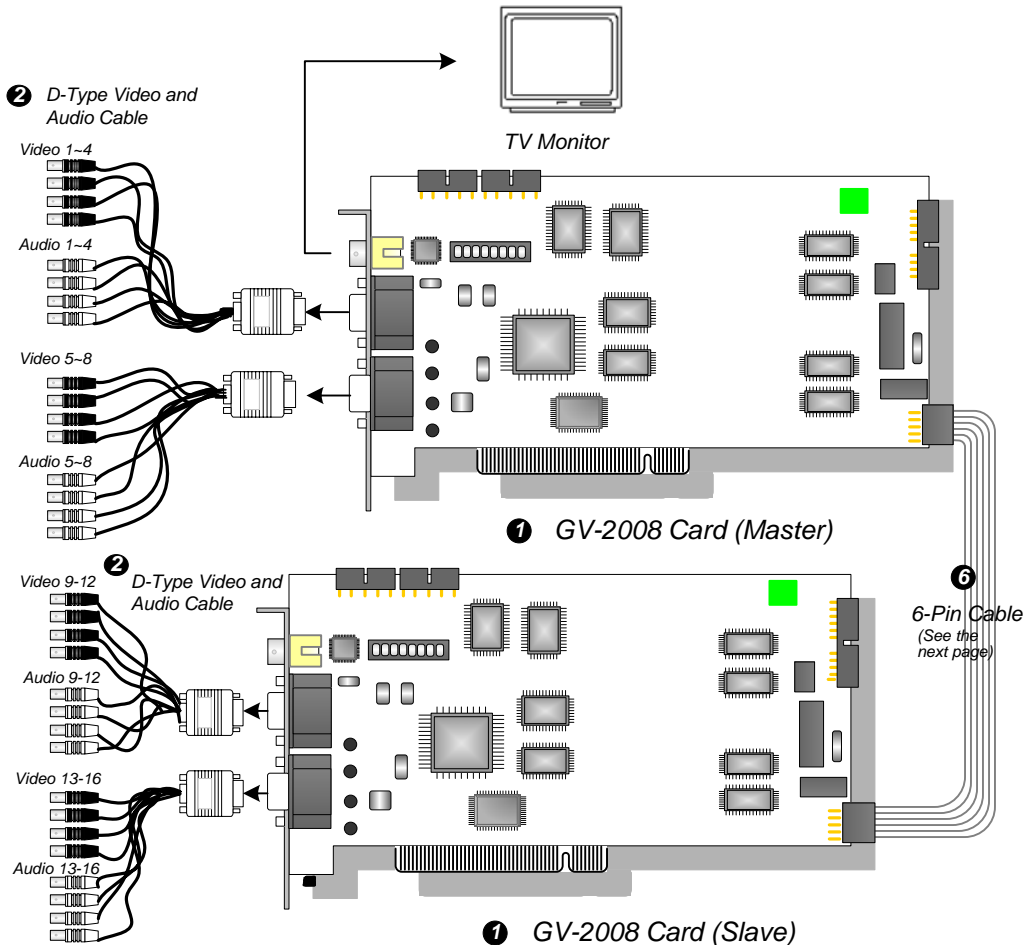


GV-2008 Card

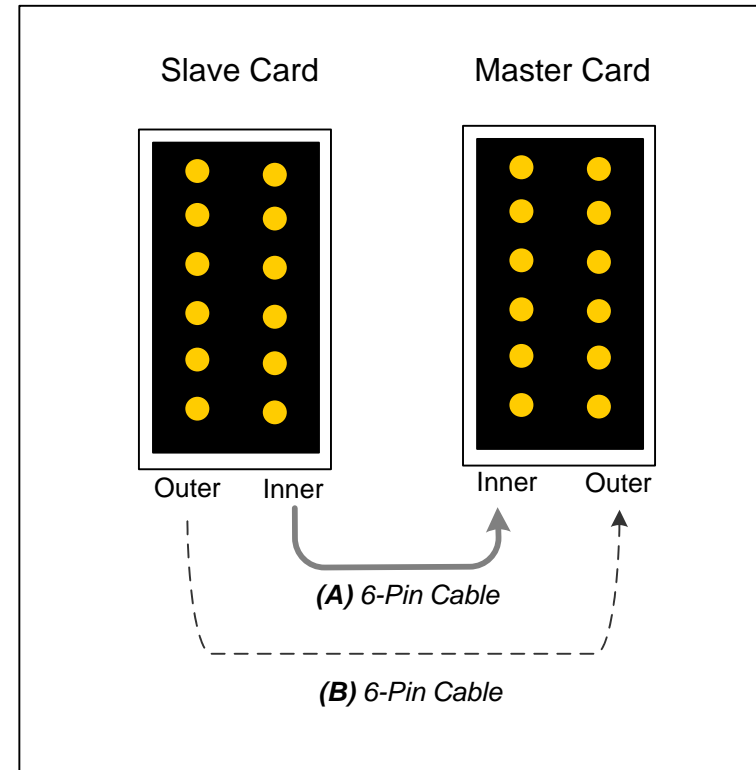
GV-2008, a four-in-one combo card, includes the features of previous GV-Video Capture Card (recording of up to 16 video channels), GV-DSP Card (real-time display), GV-A16 Card (recording of up to 16 audio channels), and GV-Hybrid DVR Card (hardware compression). This economic device not only provides a single-card solution but also saves the PCI slots.

Packing List

- ❶ GV-2008 Card x 1
- ❷ 1-4 D-Type Video and Audio Cable x 1
- ❸ 5-8 D-Type Video and Audio Cable x 1
- ❹ Hardware Watchdog Jumper Wire x 1
- ❺ 6-Pin Cable x 1
- ❻ Software CD x 1
- ❼ Installation Guide x 1



Connect Two GV-2008 Cards



1. The card attached to the lower PCI slot number will act as Master, and the card attached to the higher PCI slot number will act as Slave.
2. Connect both cards' inner pins with the 6-Pin Cable. See (A) connection in the Figure above.
3. In a computer where two GV-2008 Cards are installed, only 8 channels are functional when the system is running. It may be that the position of Master card and Slave card is reversed, so the 6-Pin Cable is connected to the wrong pin assignment. To solve the problem, please try to connect both cards' outer pins with the cable. See (B) connection in the Figure above.

Specifications

| | | |
|------------------------|--------------------------------|---|
| Input Type | DB15 x 2 (for Video and Audio) | |
| Video Input (s) | 8 Cams | |
| Audio Input (s) | 8 Channels | |
| TV Output | RCA Connector x 1 | |
| Recording Rate | S/W (CIF) | 240 fps (NTSC), 200 fps (PAL) |
| | H/W (D1 or Half D1) | 240 fps (NTSC), 200 fps (PAL) |
| Display Rate | 240 fps (NTSC), 200 fps (PAL) | |
| Video Resolution | NTSC | 720 x 480, 720 x 480 De-interlace |
| | PAL | 720 x 576, 720 x 576 De-interlace |
| Compression Format | S/W | Geo MPEG4, Geo MPEG4 (ASP), Geo H264, Geo H264 V2 |
| | H/W | MPEG-4, MPEG-2 |
| GV-NET/IO Card Support | Yes | |
| Dimensions | 240 mm x 102 mm | |

System Requirements

| | | |
|--------------|---|---|
| OS Supported | Windows 2000 / Windows XP / Windows Server 2003 / Windows Vista | |
| CPU | GV-2008 x 1 | Pentium 4-2.6C GHz with Hyper-Threading |
| | GV-2008 x 2 | Pentium 4-3.0C GHz with Hyper-Threading |
| RAM | GV-2008 x 1 | 2 x 512 MB Dual Channel |
| | GV-2008 x 2 | 2 x 1G Dual Channel |
| HDD | GV-2008 x 1 | 250 GB or above |
| | GV-2008 x 2 | 500 GB or above |
| VGA | ATI Radeon 9550 or above NVIDIA 6200 or above | |
| DirectX | 9.0 or above | |

Note:

1. Currently GV-series cards are not compatible with VIA-series and ATI-series chipset motherboards.
2. To install two GV-2008 cards, ensure the PC power supply is 400 Watts or above.